

Boat Travel Lift





Boat Travel Lift

The marine travel lift is a non-standard equipment designed and manufactured according to the different needs of customers. It is mainly used for launching and disembarking boats. It can easily realize the maintenance, repair or launching of these different boats at a very low cost.

The boat travel lift has the functions of straight travel, oblique travel, 90-degree in-situ turning and fixed-axis rotation. It can flexibly place the boats on the shore site according to requirements, and can quickly arrange the boats in sequence, and the distance between the placed boats can be very small.

Supply Scope

Lifting capacity: 10-1000 tons
Inside clear width: customized
Clear height: customized

Composition & Advantages

The travel lift is mainly composed of a dismantling and traveling system (a tire-type flatbed), a main frame, a lifting system, a hydraulic system, an electronic control system, a power system and auxiliary structures.

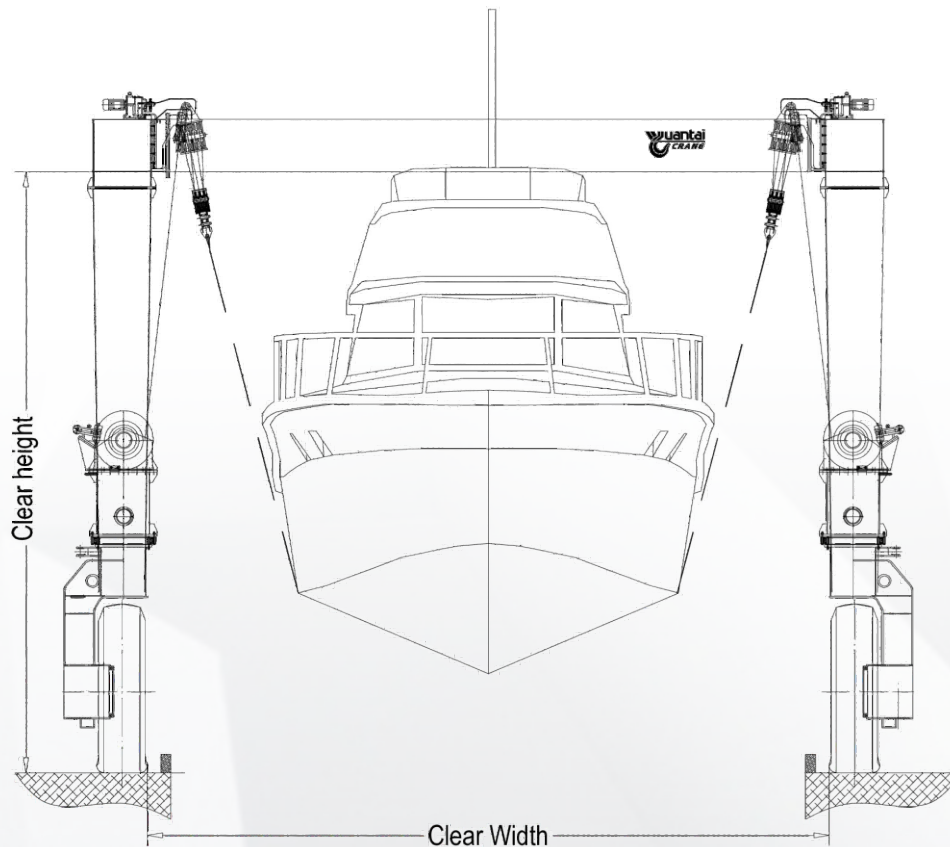
- Full protection system for safety design
- Qualified & reliable components
- High-efficient working ability
- Simple & minimal maintenance demand
- Easy operation
- Full functional test before delivery
- Free spares supplying
- Fast & easy site installation services
- Short delivery
- Open for 3rd party inspection



Photos View



Tailor your crane



- Lifting capacity: tons
- Clear width: meters
- Clear height: meters
- Control mode: Remote control? Cabin control?



**Henan Yuantai Crane Machinery
Import&Export Co., Ltd.**



YUANTAI CRANE

- ☎ +86-371-65760775
- ✉ ytcranes
- ✉ yuantai@ytcrane.com
- 🌐 www.ytcrane.com
- 📍 No. 1002, 10th Floor, Building 5, New Development Kailin Square,
No.107 Shangding Road, Henan Pilot Free Trade Zone, China.